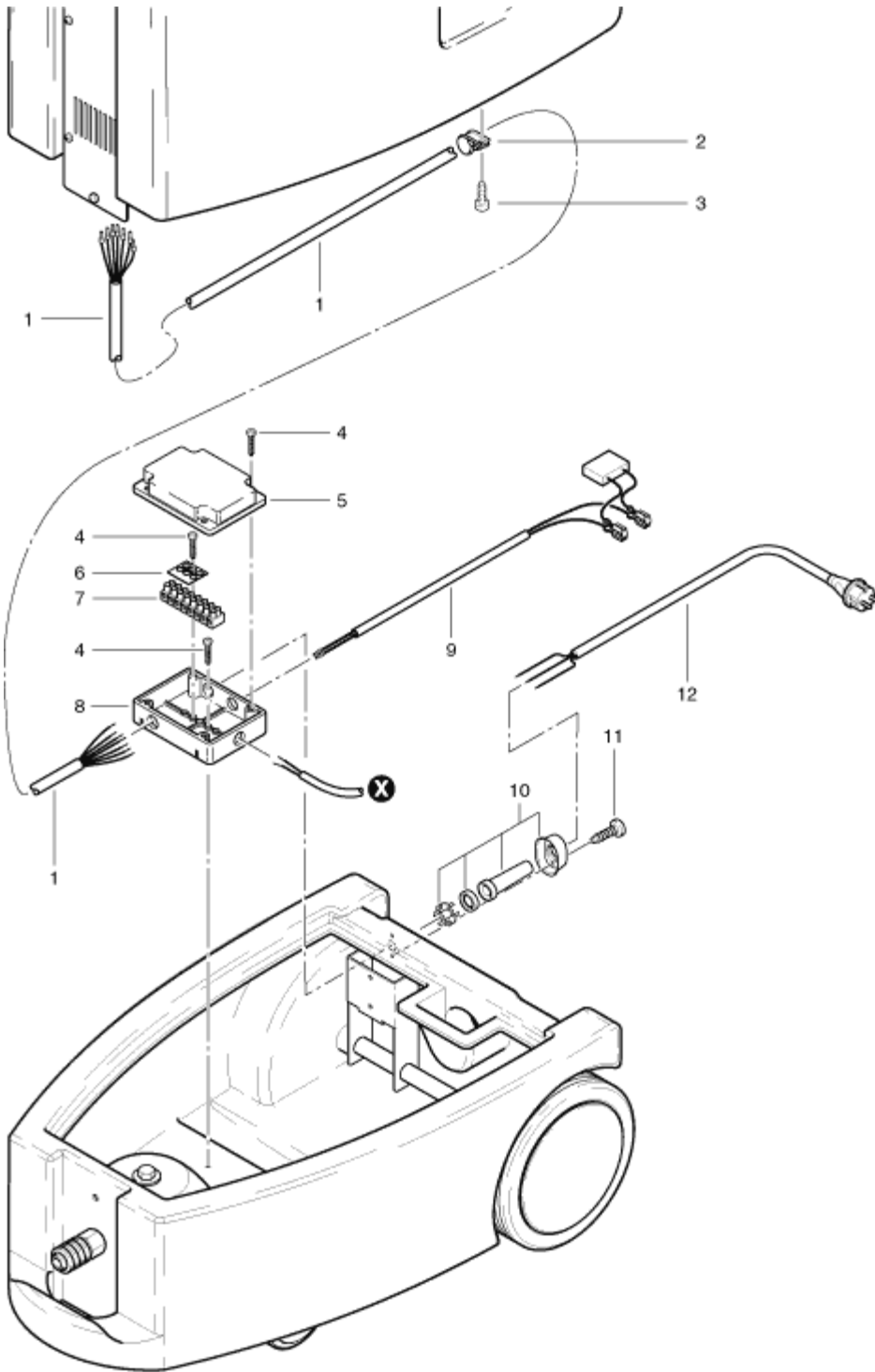


CE-90 Electrical Cord



Pos.	Description	Reference
01	Cable tree for switch	124.303
	Cable support	125.111
03	Cyl. screw M 6x12 mm	P...478F
	PT-screw KA 30x14 mm	P...516S
05	Cover of distribution box	P...379A
	Marking plate	P...390
07	Connection block (8)	P...383D
	Housing of distribution box	P...379
09	Cable tree for vac motor	430.319B
	Antikink sleeve	6605178
11	PT-screw KA 40x25 mm	P...516O
	Mains cable 800 mm	124.107