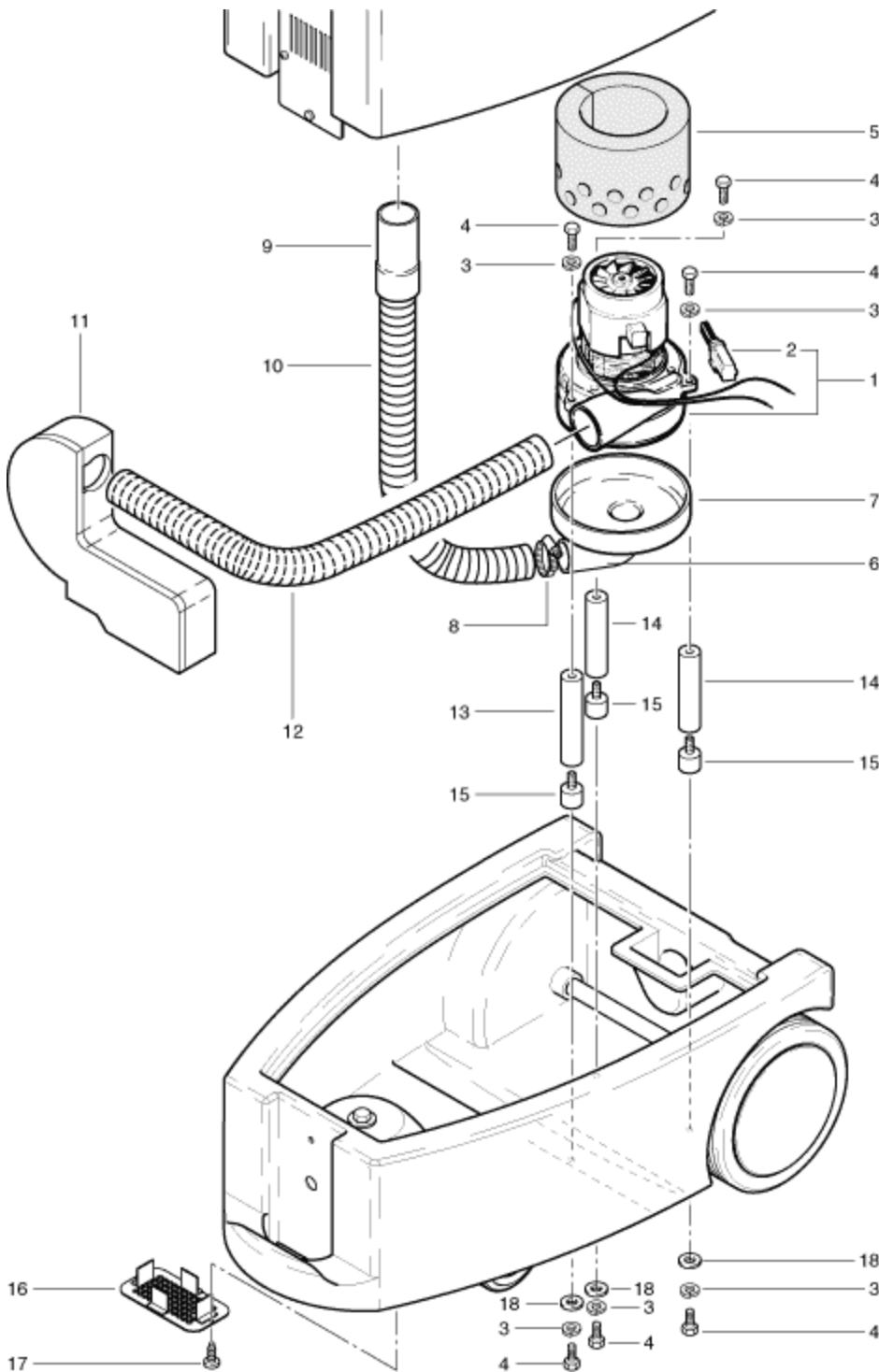


## CE-90 Vacuum Motor



Pos.	Description	Reference
01	Vacuum motor 240 V/50-60 Hz 124.150	124.150
02	Pair of carbon brushes	
03	Serrated lock washer M6	P...499D
04	Hexagon screw M 6x12 mm	P...470R
05	Isolation ring	530.737
07	Connection cap	124.120
08	Hose clamp	P...206D
09	Hose socket	124.115
10	Suction hose compl. 900 mm	124.109
11	Noise absorbing canal	124.112
12	Air discharge hose 600 mm	124.110
13	Distance piece 101 mm	124.104
14	Distance piece 93 mm	124.105
15	Round buffer	500.499
16	Covering piece	124.116
17	PT screw KA 30x14 mm	P...516S
18	Washer M6	P...496L