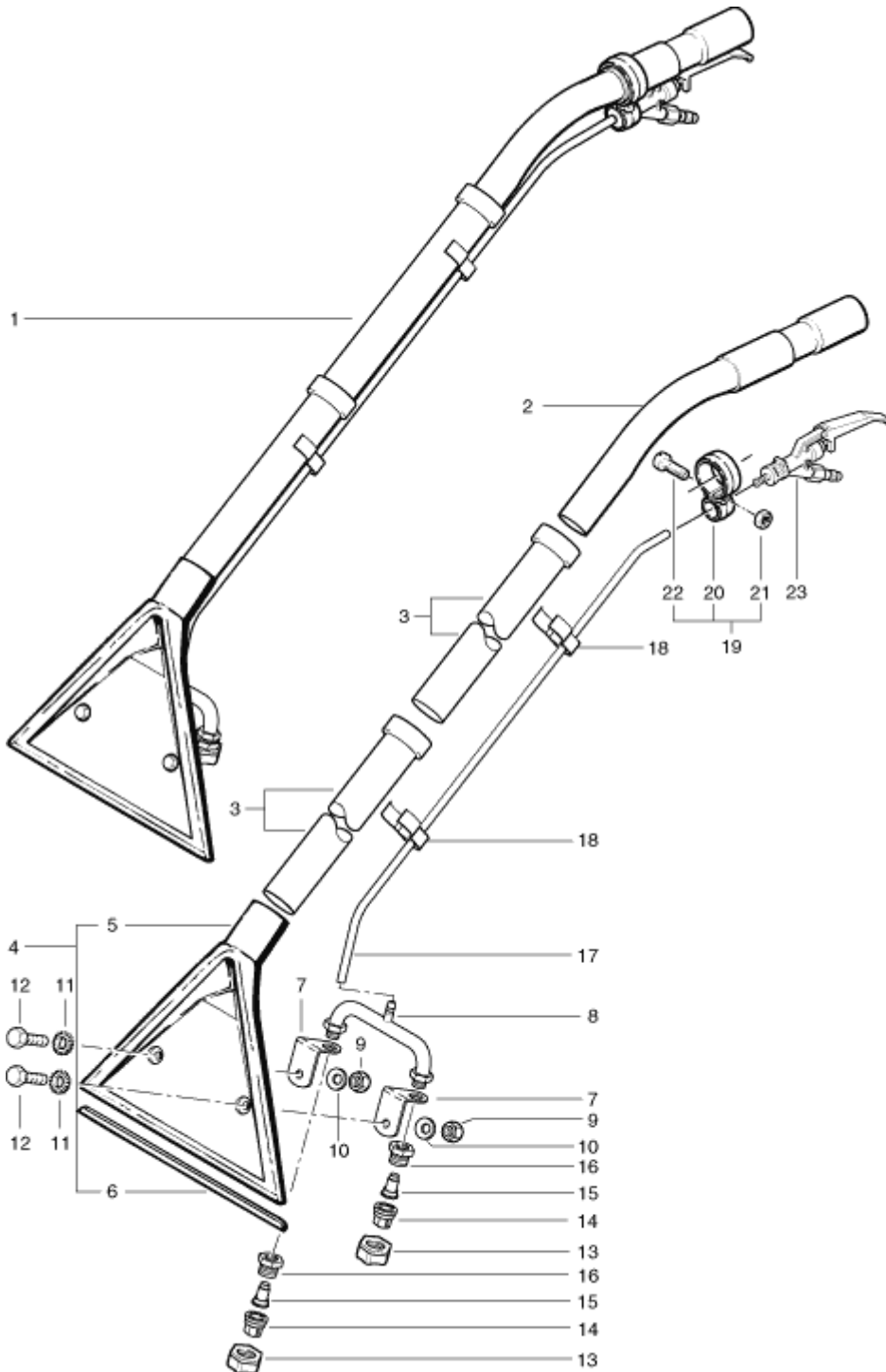


CE-90 Carpet Tool



Pos.	Description	Reference
01	Carpet tool complete	605.000
02	Stainless steel handle dm 38 mm	P...584
03	Stainless steel tube	645.002A
04	Suction nozzle complete including: items 5+6	602.550
05	Suction nozzle 26 cm	602.600H
06	Sliding blade	P...617
07	Mounting bracket for jet ass.	602.150
08	Double pipe bend	602.110
09	Hexagon nut M6	P...491E
10	Washer 6,4x12,5 mm	P...499H
11	Rated lock washer M6	P...499D
12	Hexagon screw M 6x20 mm	P...472D
13	Cap nut 3/8"	P...523D
14	Spraying jet 11004	P...627D
15	Flashback nozzle	P...607E
16	Reducer 3/8"	P...535P
17	Hose per meter 12/6	P...573
18	Hose clip	P...670
19	Guide bride complete including: items 20-22	P...683
20	Guide bride	P...683A
21	Hexagon nut M5	P...683C
22	Cylindrical screw M 5x18 mm	P...683B
23	Valve complete	P...681