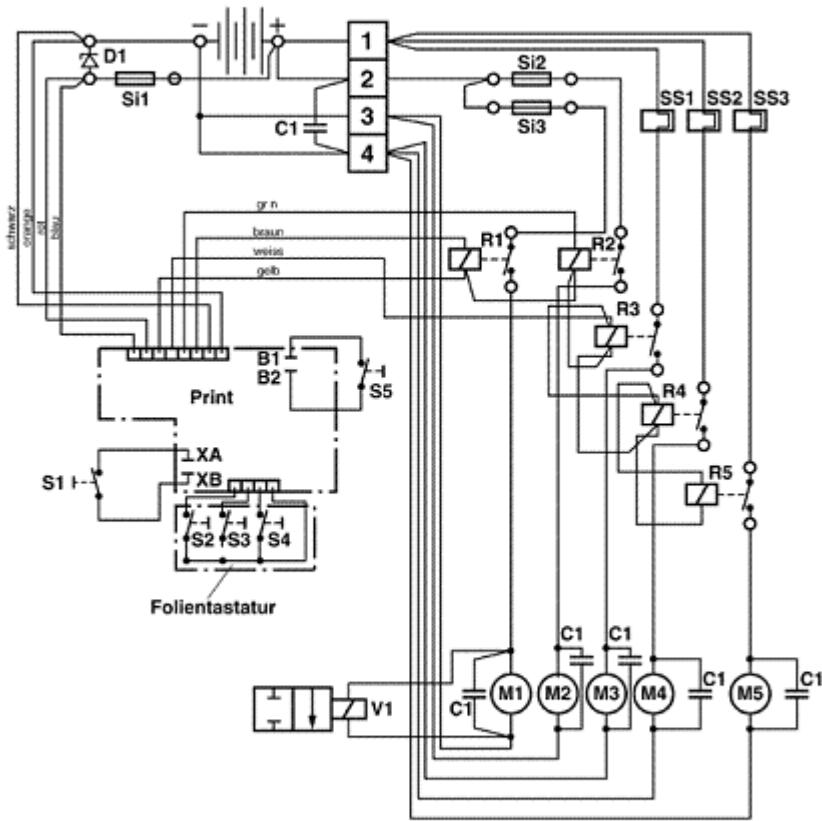


OS-21 Wiring Diagram

Stromlaufplan RA 530 B



Pos.	Description	Reference
C1	Capacitor 0,47 uF	
D1	Protective diode	
M1	Pump	
M2	Vacuum motor	
M3	Brush motor	
M4	Brush motor	
M5	Brush motor	
R1	Pump relais	
R2	Relais for vacuum motor	
R3	Relais for brush motor (disc brush)	
R4	Relais for brush motor (disc brush)	
R5	Relais for brush motor (roller brush)	
S1	Key switch	
S2	Vac motor switch	
S3	Brush motor switch	
S4	Pump switch	
S5	Security switch	
Si1	Controls fuse (1A)	
Si2	Vacuum fuse (25A)	
Si3	Fuse for pump (5A)	
SS1	Motor protection switch (10A) brush motor (disc brush)	
SS2	Überstromschalter (10A) Bürstmotor-Tellerbürste	
SS3	Überstromschalter (15A) Walzenbürstenmotor	