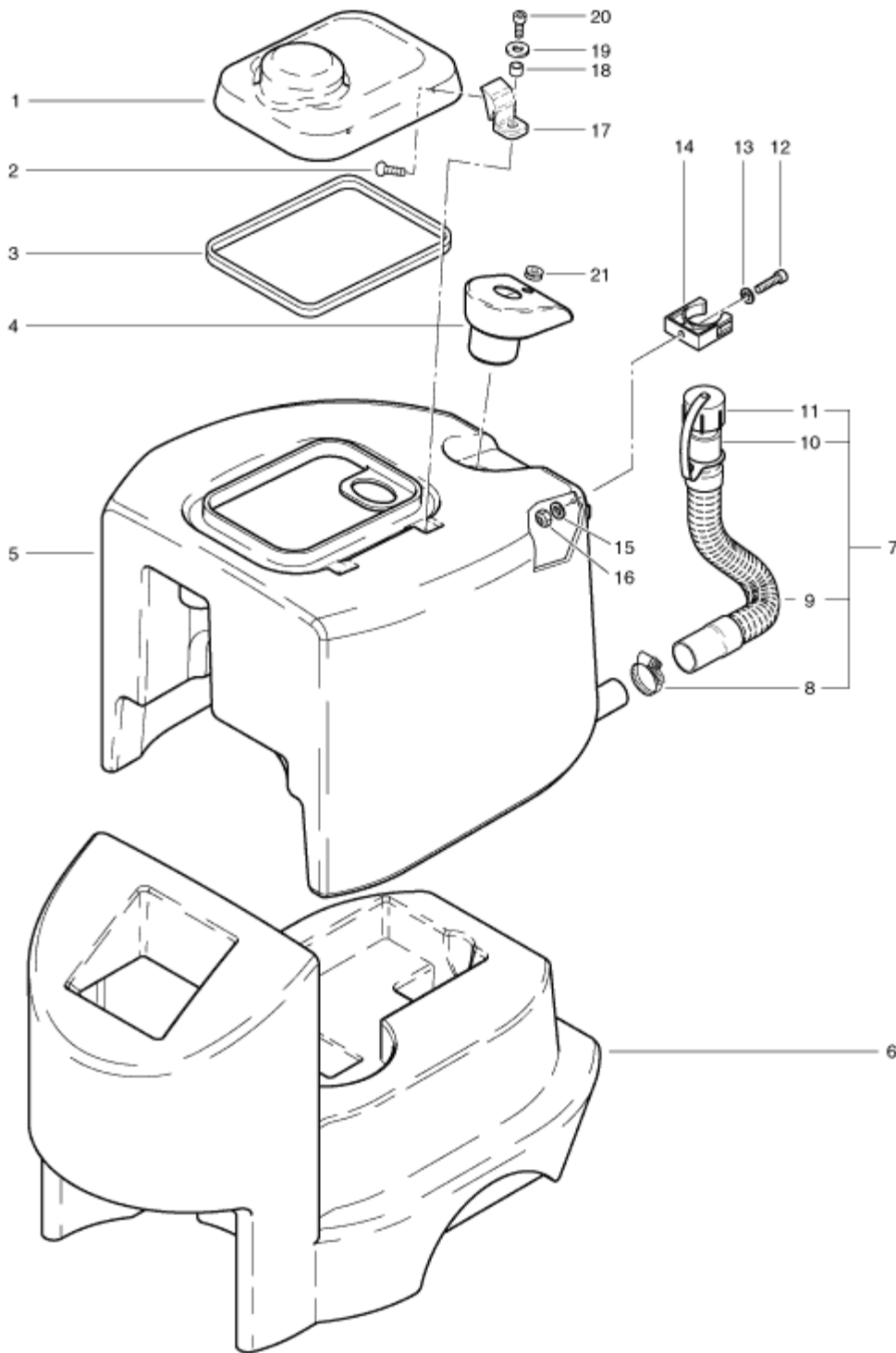


## SD-17 WATER TANK



Pos.	Description	Reference
01	Cover	P...084A
02	Countersunk screw M 4x8	P...480O
03	Seal for cover	041.412
04	Handle support	430.352
05	Waste water tank	430.460
06	Clean water tank	430.410
07	Discharge hose complete, including Items 8-11	420.740
08	Hose clamp 39,5	P...553R
09	Discharge hose	420.741
10	Hose socket	500.409A
11	Cover for hose socket	500.410
12	Cylindrical screw M 5x25	P...488K
13	Washer M 5	P...497G
14	Hose clamp	P...109A
15	Washer M 5	P...497E
16	Security nut M 5	P...493G
17	Hinge	710.122
18	Distance piece	430.618
19	Washer M 6	P...497K
20	Cylindrical screw M 5x12	P...488B
21	Cable through	P...408K