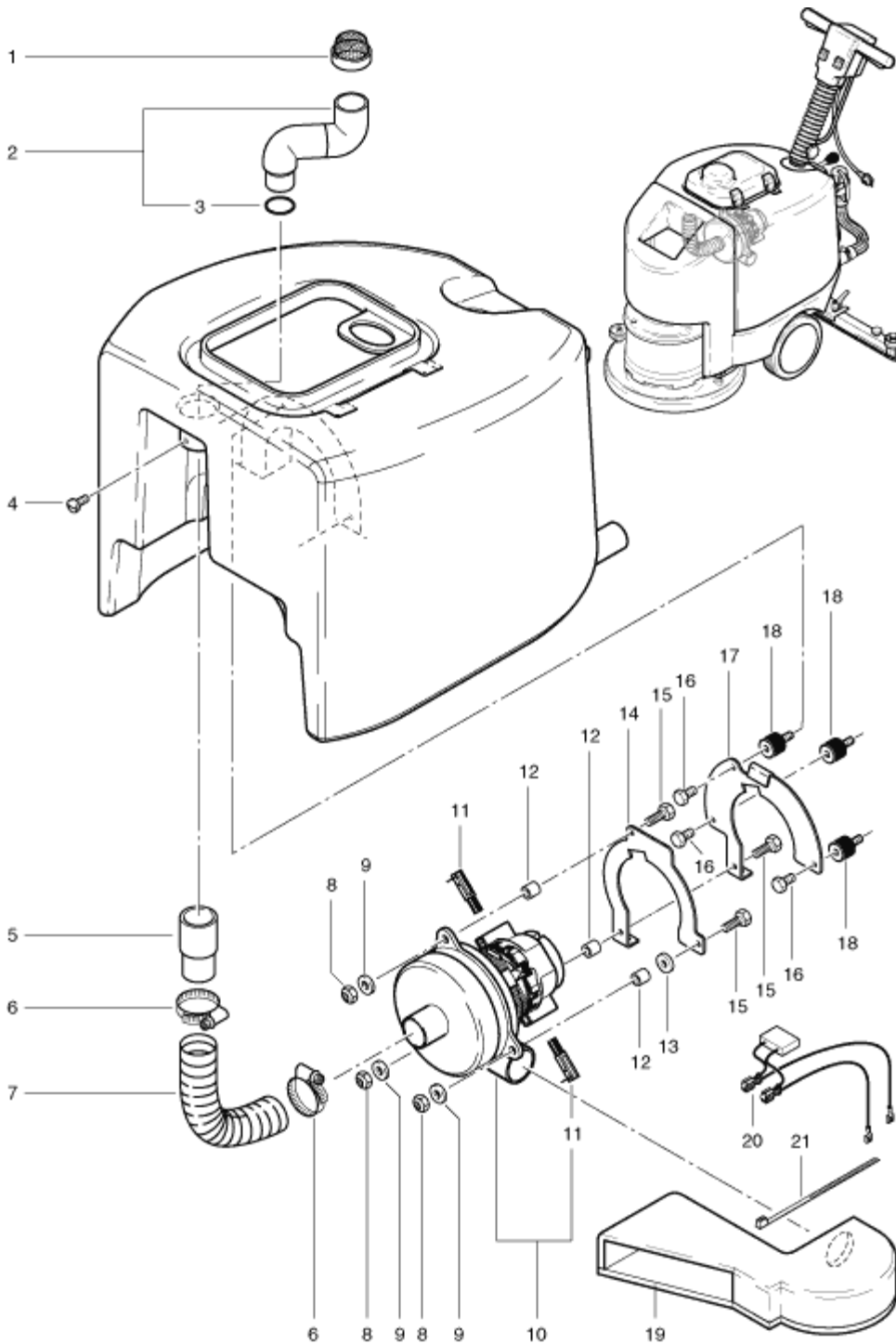


## SD-17 VACUUM MOTOR ASSEMBLY



Pos.	Description	Reference
01	Filter	400.766
02	Suction tube	430.770
03	O-ring 28x2	P...961E
04	PT-screw KA 40x12	P...516P
05	Connector	430.731
06	Hose clamp	P...206D
07	Connection hose	430.486
08	Security nut M 6	P...493K
09	Washer dm 6x18	P...496L
10	Vacuum motor	430.491
11	Pair of carbon brushes	P...870KB
12	Distance piece	P...509C
13	Washer M 6	P...497K
14	Motor support	430.159
15	Hexagon screw M 6x25	P...471Q
16	Hexagon screw M 6x12	P...470R
17	Motor holder	430.164
18	Round buffer	500.499
19	Sc	430.494
20	Cable tree with capacitor	430.319B
21	Cable tie	P...424