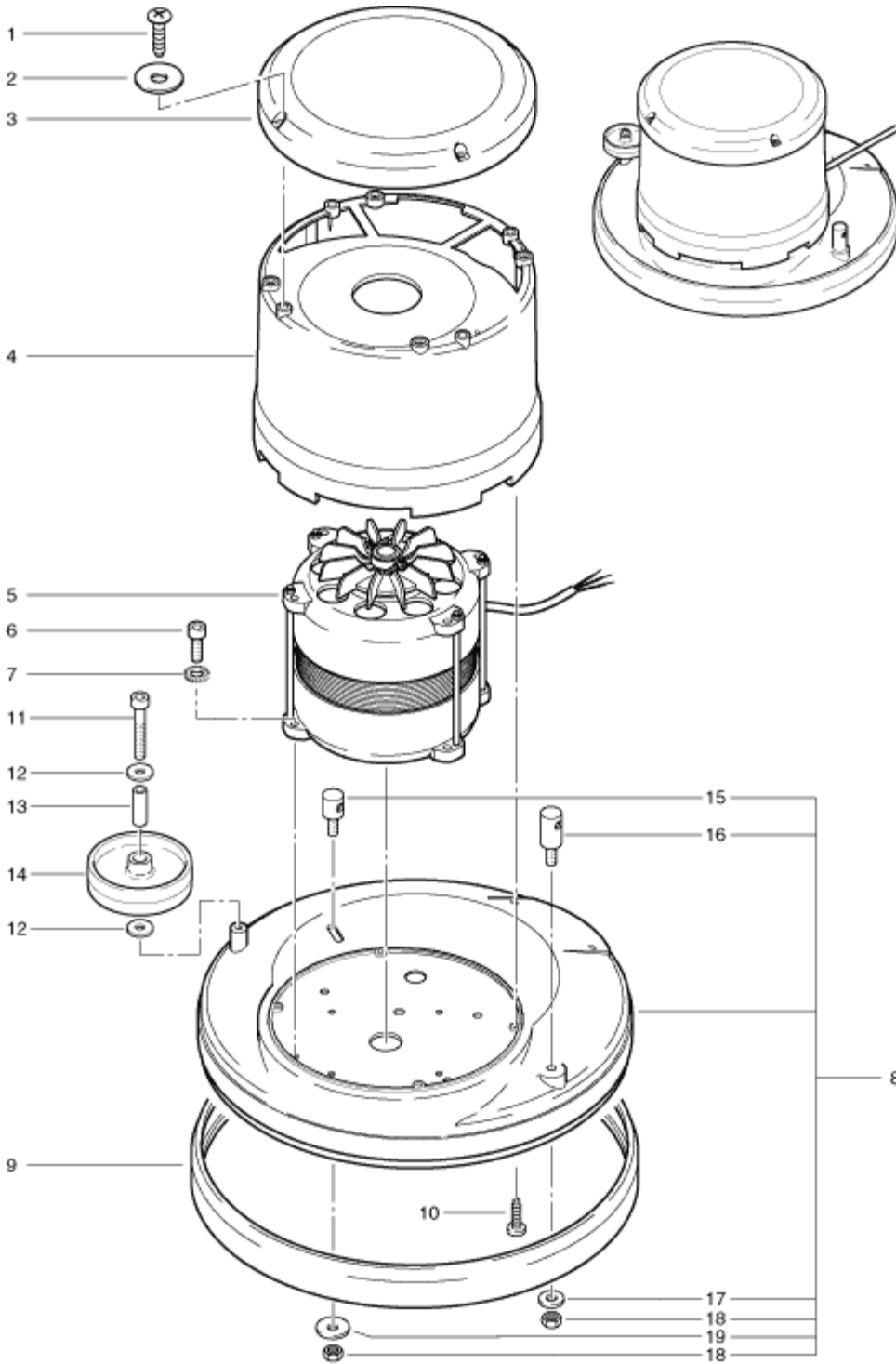


SD-17 MOTOR



Pos.	Description	Reference
01	Screw	P...513R
	<i>Pan head screw M 6x10</i>	P...475M
03	Pressure spring	430.145
	<i>Guiding pin</i>	430.168
05	Serrated lock washer M 6	P...498K
	<i>Cylindrical screw M 6x25</i>	P...486T
07	Washer M 6	P...496K
	<i>Hexagon screw M 6x12</i>	P...470T
09	Spring holder	430.126
	<i>Hexagon nut M 6</i>	P...490D
11	Suction nozzle complete, including items 12-23	430.600
	<i>Clamping guide</i>	430.602
13	Nozzle end piece	530.606
	<i>Nozzle insert</i>	430.603
15	Rubber blade (brown)	430.604
	<i>Rubber blade (blue)</i>	430.605
17	Fender wheel	450.364F
	<i>Distance piece</i>	530.609
19	Washer 6/16x10	P...497M
	<i>Cylindrical screw M 6x35</i>	P...486U
21	Screw knob M 6x20	P...494X
	<i>Star handle</i>	530.607
23	Locking handle	P...253B